

# CONDOR 220/350

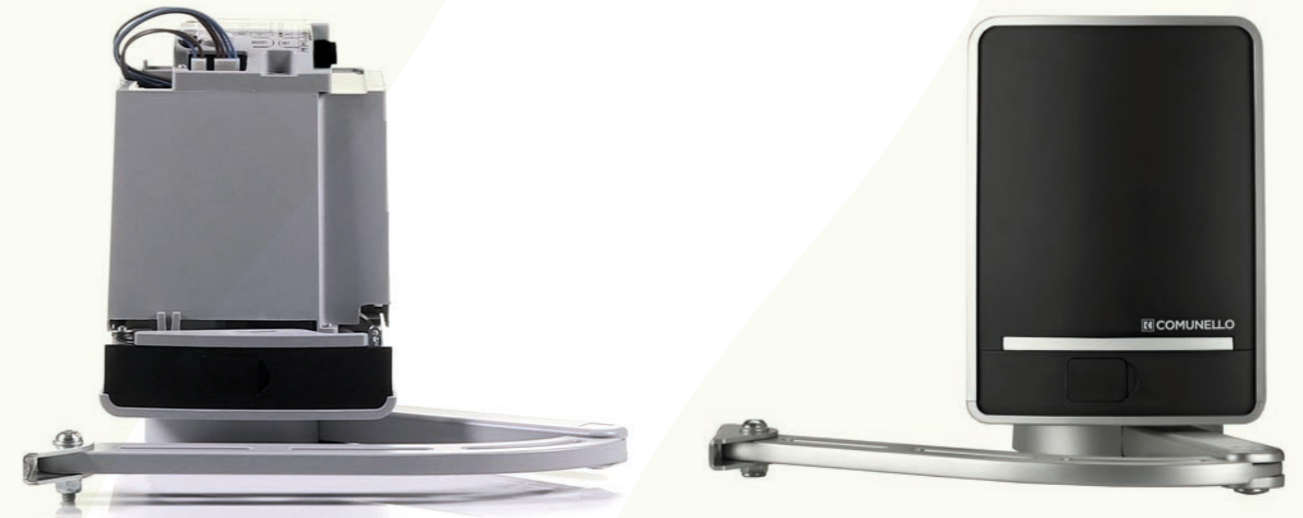
Automation for swing gates  
24 Vdc and 230 Vac

Life  
made  
easy



# CONDOR 220/350

Technical features



**CONDOR 220**  
up to 2,2 m

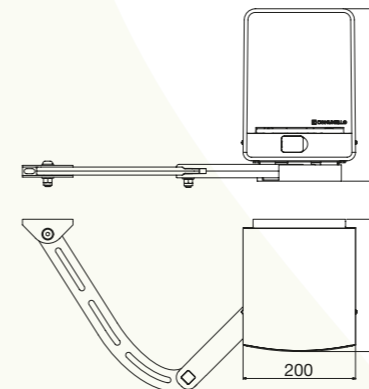
24V

230V

**CONDOR 350**  
up to 3,5 m

24V

## DIMENSIONS (mm)



## TECHNICAL FEATURES

	CONDOR 220 24V		CONDOR 350 24V
Power supply	230 ~ 50 Hz		
Operator power supply	24V  ONE 24V	230V ~	24V  ONE 24V
Power consumption	110 W	280 W	150 W
Current input	5 A	1,2 A	6,5 A
Torque	150 Nm	250 Nm	200 Nm
Duty cycle	Intensive use	30%	Intensive use
Protection rating	IP 24 D		
Insulation class	1 earth	1 earth	II
Working temperature	da -20°C a + 50°C		
Speed	0,10 rad/s		
Weight	10 Kg	10 Kg	10 Kg



Every single product is duly tested at the end of each assembly line

OFFICIAL DEALER:

 **COMUNELLO**  
**AUTOMATION**

AUTOMATION FOR GATES, DOORS AND BARRIERS

FRATELLI COMUNELLO S.P.A.

HEADQUARTERS

Via Zarpellon, 33

36027 San Giuseppe di Cassola, Vicenza, Italy

Tel. +39 0424 585111 Fax +39 0424 533417

[info@comunello.it](mailto:info@comunello.it) [www.comunello.com](http://www.comunello.com)

REGISTERED OFFICE

Via Cassola,64 - C.P.79

36027 Rosà, Vicenza, Italy

Tel. +39 0424 585111 Fax +39 0424 533417

[info@comunello.it](mailto:info@comunello.it) [www.comunello.com](http://www.comunello.com)