

ABACUS

SWING GATES ACTUATOR
VERSIONS 230V AND 24V

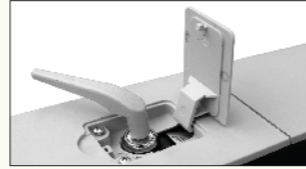
Life
made
easy



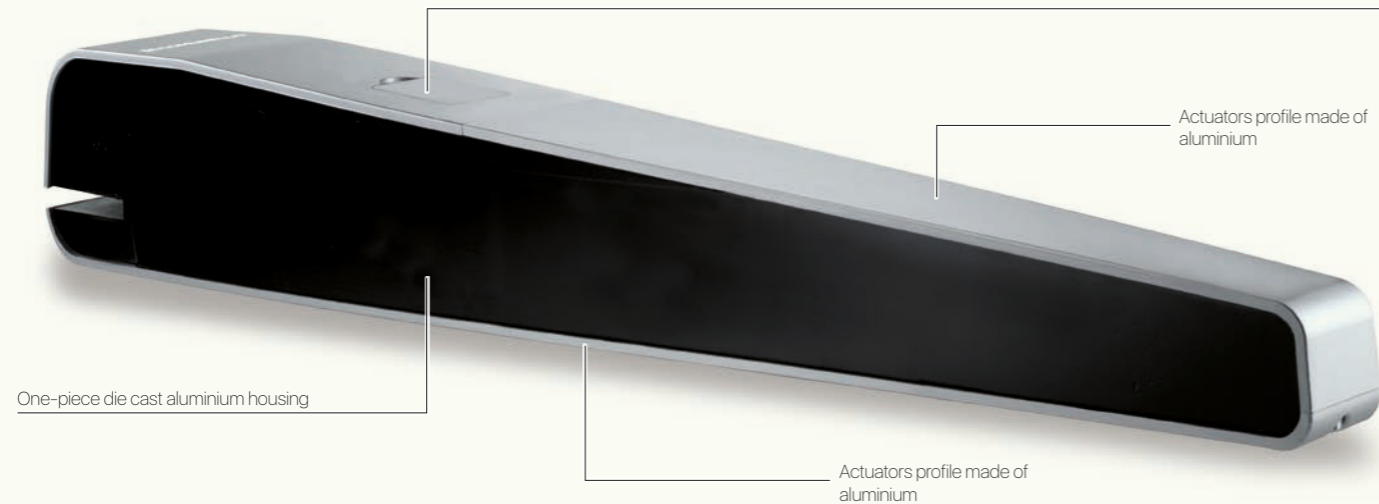
ABACUS

Technical features

Emergency manual release system with aluminium handle

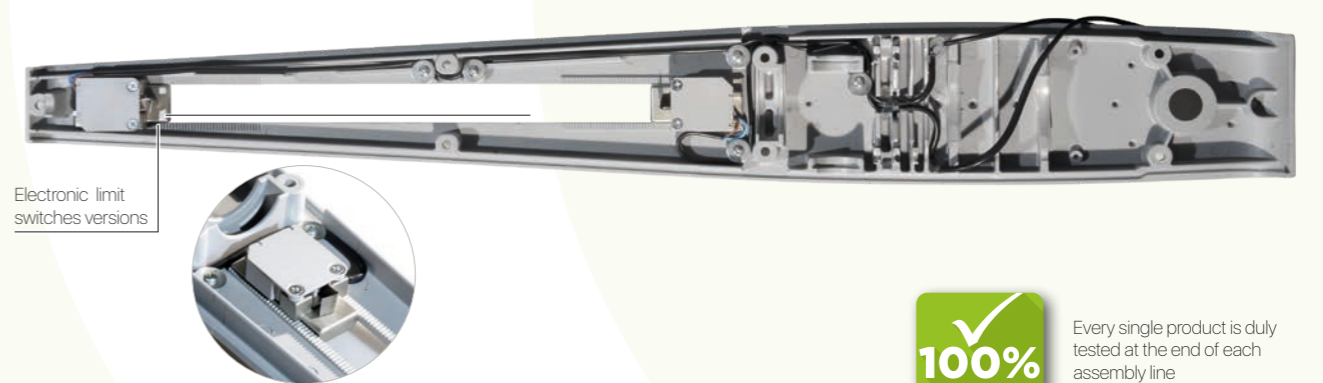
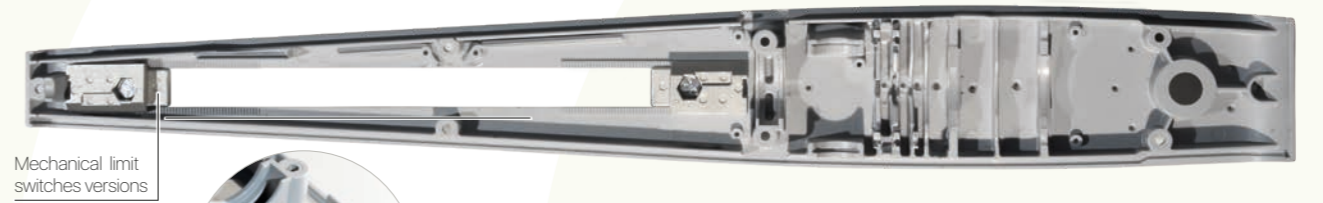
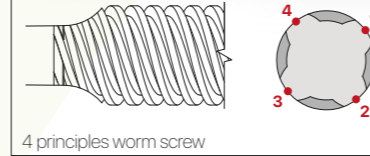
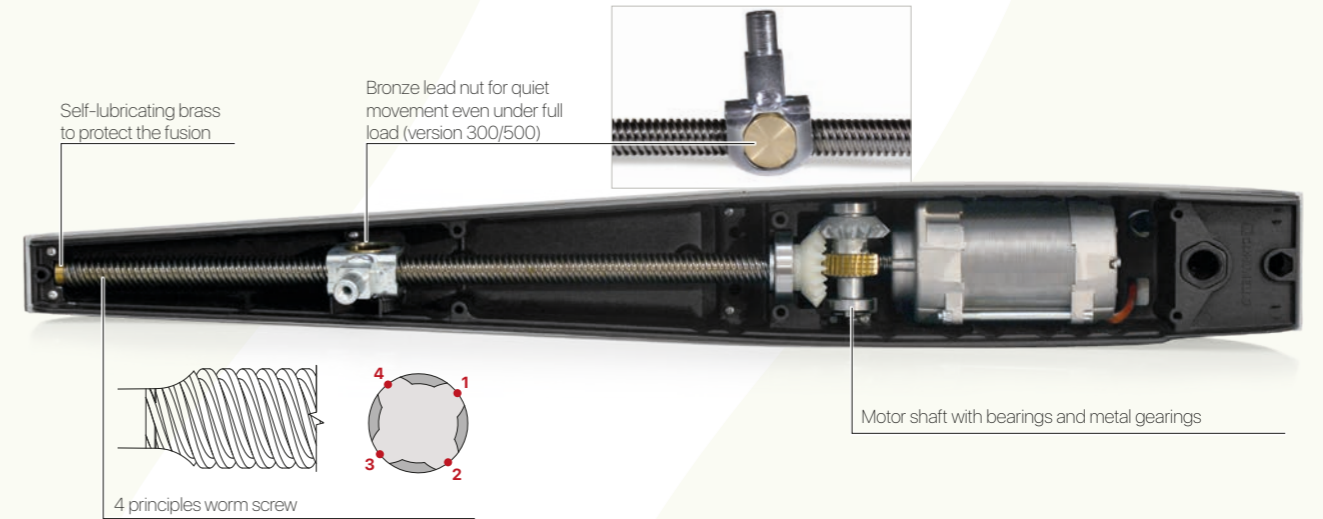


Actuators profile made of aluminium



One-piece die cast aluminium housing

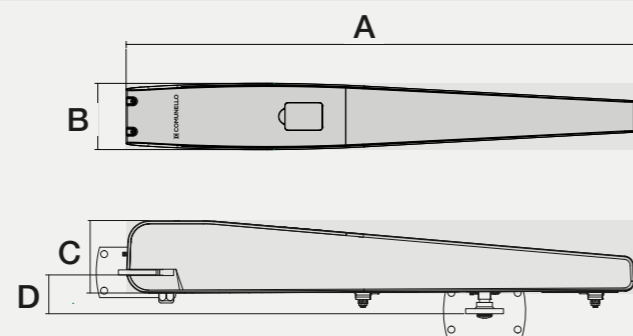
Actuators profile made of aluminium



Every single product is duly tested at the end of each assembly line

DIMENSIONS (mm)

| | ABACUS 220 | ABACUS 300 | ABACUS 500 |
|----------|------------|------------|------------|
| A | 765 | 805 | 955 |
| B | 95 | 105 | 105 |
| C | 95 | 115 | 115 |
| D | 61,3 | 61,5 | 61,5 |



TECHNICAL CHARACTERISTICS

Available with mechanical or electronic limit switches and with Encoder versions

| | ABACUS 220 24V | ABACUS 220 230V | ABACUS 300 24V | ABACUS 300 230V | ABACUS 500 24V | ABACUS 500 230V |
|------------------------|-------------------|-----------------|-------------------|-----------------|-------------------|-----------------|
| Voltage | 24 VDC | 230 VAC | 24 VDC | 230 VAC | 24 VDC | 230 VAC |
| Power consumption | 70 W | 180 W | 110 W | 280 W | 110 W | 280 W |
| Max. absorption | 3 A | 0,8 A | 5 A | 1,2 A | 5 A | 1,2 A |
| Max. thrust | 1500 N | 1400 N | 1800 N | 2000 N | 1800 N | 2000 N |
| Standard stroke | 296 mm | 296 mm | 296 mm | 296 mm | 446 mm | 446 mm |
| Duty cycle | Intensive use 50% | | Intensive use 50% | | Intensive use 50% | |
| Protection degree (IP) | IP44 | | IP44 | | IP44 | |
| Insulation class | 2 | 1 (earthing) | 2 | 1 (earthing) | 2 | 1 (earthing) |
| Working temperature | -20°C / +50°C | | -20°C / +50°C | | -20°C / +50°C | |
| No-load speed | 18 mm/s | 16 mm/s | 21 mm/s | 16 mm/s | 21 mm/s | 16 mm/s |
| Weight | 8 kg | 8,6 kg | 10,1 kg | 10,7 kg | 10,7 kg | 11,2 kg |



OFFICIAL DEALER:

 **COMUNELLO**
AUTOMATION

AUTOMATION FOR GATES, DOORS AND BARRIERS

FRATELLI COMUNELLO S.P.A.

HEADQUARTERS

Via Zarpellon, 33

36027 San Giuseppe di Cassola, Vicenza, Italy

Tel. +39 0424 585111 Fax +39 0424 533417

info@comunello.it www.comunello.com

REGISTERED OFFICE

Via Cassola,64 - C.P.79

36027 Rosà, Vicenza, Italy

Tel. +39 0424 585111 Fax +39 0424 533417

info@comunello.it www.comunello.com